

# User manual

## **VIOLA** 231 OD

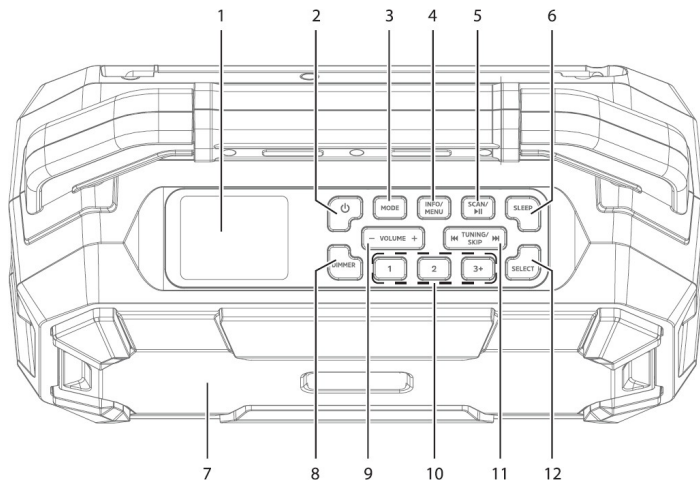
Portable DAB+/FM radio with Bluetooth functionality



**TechniSat**

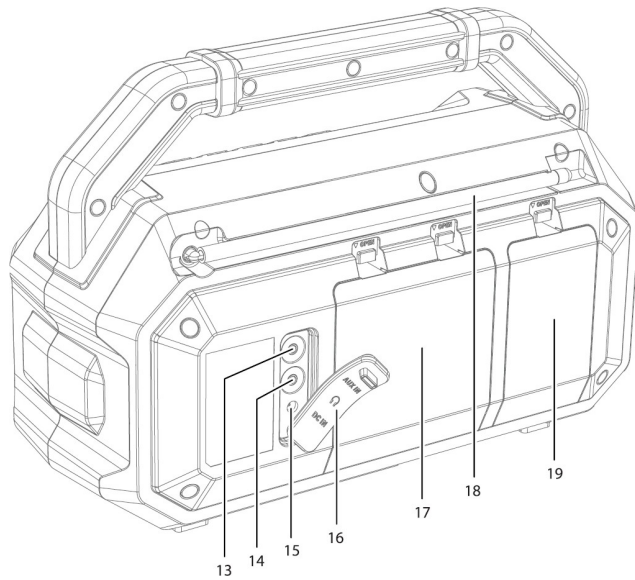
# 1 Illustrations

## 1.1 Front view



- 1 **Display**
- 2 **On/Standby**
- 3 **MODE** Source selection
- 4 **INFO/MENU** Display indicators (press) / Main menu (press and hold)
- 5 **SCAN/Play/Pause** Station search / Play/Pause (in Bluetooth mode)
- 6 **SLEEP**
- 7 **Speaker**
- 8 **DIMMER**
- 9 **Volume +/-**
- 10 **Direct selection buttons 1,2 / 3+** (Favourites memory)
- 11 **TUNING/SKIP** multifunction button
- 12 **SELECT** Select/Save

## 12 Rear view



- 13 **AUX input** (behind protective cover)
- 14 **Headphone jack** (behind protective cover)
- 15 **Power supply connection** DC-IN 18 V (behind protective cover)
- 16 **Protective cover**
- 17 **Battery compartment cover** for 18 V battery
- 18 **Telescopic antenna**
- 19 **Power supply compartment cover**

## 2 Contents

|          |  |           |
|----------|--|-----------|
| <b>1</b> | <b>Illustrations .....</b>                   | <b>2</b>  |
| 1.1      | Front view .....                             | 2         |
| 1.2      | Rear view .....                              | 4         |
| <b>2</b> | <b>Table of contents .....</b>               | <b>6</b>  |
| <b>3</b> | <b>Foreword .....</b>                        | <b>10</b> |
| <b>4</b> | <b>Safety instructions.....</b>              | <b>11</b> |
| 4.1      | Characters and symbols used .....            | 11        |
| 4.2      | Intended use.....                            | 13        |
| 4.3      | Safe handling of the product.....            | 13        |
| 4.4      | Legal information .....                      | 16        |
| 4.5      | Service information .....                    | 18        |
| <b>5</b> | <b>Installing the appliance .....</b>        | <b>19</b> |
| <b>6</b> | <b>Description of the VIOLA 231 OD .....</b> | <b>21</b> |
| 6.1      | Contents of the package .....                | 21        |
| 6.2      | Special features of the VIOLA 231 OD.....    | 21        |
| 6.3      | Preparing the VIOLA 231 OD for use .....     | 22        |
| 6.3.1    | Connecting to the mains .....                | 22        |

|          |  |           |
|----------|--|-----------|
| 6.3.2    | Aligning the antenna .....                     | 27        |
| 6.3.3    | Using the coffee maker.....                    | 28        |
| 6.4      | General device functions .....                 | 28        |
| 6.4.1    | Switching on the machine .....                 | 28        |
| 6.4.2    | Switching off the device .....                 | 29        |
| 6.4.3    | Switch operating mode .....                    | 30        |
| 6.4.4    | Adjust volume .....                            | 30        |
| 6.4.5    | Display .....                                  | 31        |
| 6.4.6    | Accessing display screens .....                | 32        |
| 6.4.7    | Slideshow .....                                | 32        |
| <b>7</b> | <b>Menu operation.....</b>                     | <b>32</b> |
| <b>8</b> | <b>The DAB+ (Digital Radio) function .....</b> | <b>34</b> |
| 8.1      | What is DAB+ .....                             | 34        |
| 8.2      | DAB+ (Digital Radio) reception.....            | 34        |
| 8.3      | Perform a full scan.....                       | 34        |
| 8.4      | Select a station .....                         | 36        |
| 8.5      | Store a DAB+ station in a memory slot .....    | 36        |
| 8.6      | Recall a DAB+ station from a preset .....      | 37        |
| 8.7      | Overwriting/deleting a preset.....             | 37        |
| 8.8      | Manual station search.....                     | 38        |
| 8.9      | Volume adjustment (DRC).....                   | 40        |

|           |   |           |
|-----------|---|-----------|
| 8.10      | Delete inactive channels.....               | 41        |
| <b>9</b>  | <b>FM operation.....</b>                    | <b>42</b> |
| 9.1       | Switch on FM radio .....                    | 42        |
| 9.2       | FM reception with RDS information .....     | 42        |
| 9.3       | Automatic station search .....              | 43        |
| 9.4       | Manual station search.....                  | 43        |
| 9.5       | Scan settings .....                         | 43        |
| 9.6       | Audio settings .....                        | 44        |
| 9.7       | Storing an FM station in a memory slot..... | 45        |
| 9.8       | Recalling an FM station from a preset.....  | 46        |
| 9.9       | Overwriting/deleting a preset.....          | 46        |
| <b>10</b> | <b>Bluetooth.....</b>                       | <b>47</b> |
| 10.1      | Pair device.....                            | 47        |
| 10.2      | Bluetooth playback .....                    | 48        |
| <b>11</b> | <b>AUX input.....</b>                       | <b>49</b> |
| <b>12</b> | <b>Additional functions.....</b>            | <b>50</b> |
| 12.1      | Sleep timer.....                            | 50        |
| 12.2      | Alarm clock .....                           | 52        |
| 12.2.1    | Alarm clock configuration.....              | 52        |

|           |   |           |
|-----------|---|-----------|
| 12.2.2    | Turn off the alarm clock after the alarm sounds ..... | 55        |
| 12.2.3    | Deactivate alarm .....                                | 55        |
| <b>13</b> | <b>System settings.....</b>                           | <b>56</b> |
| 13.1      | Time and date settings .....                          | 56        |
| 13.1.1    | Setting the time and date manually .....              | 56        |
| 13.1.2    | Automatic time update .....                           | 57        |
| 13.1.3    | Set time format .....                                 | 58        |
| 13.1.4    | Set date format .....                                 | 59        |
| 13.1.5    | Set watch face .....                                  | 60        |
| 13.2      | Display brightness .....                              | 61        |
| 13.3      | Colour scheme .....                                   | 61        |
| 13.4      | Language.....   | 62        |
| 13.5      | Factory settings.....                                 | 62        |
| 13.6      | Software version.....                                 | 63        |
| <b>14</b> | <b>Cleaning.....</b>                                  | <b>64</b> |
| <b>15</b> | <b>Troubleshooting .....</b>                          | <b>65</b> |
| <b>16</b> | <b>Technical data .....</b>                           | <b>67</b> |
| <b>17</b> | <b>Disposal instructions.....</b>                     | <b>70</b> |

### 3 Foreword

#### **Dear Customers,**

Thank you very much for choosing a TechniSat digital radio.

This user manual is designed to help you familiarise yourself with the wide range of functions of your new device and make the most of them. It will assist you in using the device correctly and safely. It is intended for anyone who installs, operates, cleans or disposes of the device.

Please keep the user manual in a safe place for future reference.

You can find the latest version of the user manual in the download section for your product on the TechniSat website

[www.technisat.de](http://www.technisat.de).

We hope you enjoy your TechniSat digital radio!

Yours

TechniSat Team

## 4 Safety instructions

### 4.1 Characters and symbols used

#### In this user manual:



Indicates a safety warning; failure to observe this warning may result in serious injury or death. Please note the following signal words:

**DANGER** - Serious injury or death

**WARNING** - Serious injury, possibly fatal

**CAUTION** - Injury



Indicates a warning that you must follow to prevent damage to the device, data loss or misuse, or unintended operation. It also describes additional functions of your device.



Warning: electrical voltage. Follow all safety instructions to avoid electric shock. Never open the device.

## General:



Indoor use – Devices bearing this symbol are only suitable for indoor use.



Protection Class II – Protection Class II electrical appliances are those with continuous double and/or reinforced insulation and no provision for a protective earth connection. The housing of a Protection Class II electrical appliance enclosed in insulating material may form part or all of the additional or reinforced insulation.




Your appliance bears the CE mark and complies with all relevant EU standards.



Electronic devices do not belong in household waste but must be disposed of properly in accordance with Directive 2012/19/EU of the European Parliament and of the Council of 4 July 2012 on waste electrical and electronic equipment. Please hand this device in for disposal at the designated public collection points at the end of its useful life.



The power supply unit for your device complies with energy efficiency class VI.

 This symbol indicates the polarity of the DC voltage at the barrel connector of the mains adapter.

 Symbol for direct current.

## 42 Intended use

The VIOLA 231 OD is designed for receiving DAB+/FM radio broadcasts. It can play audio via Bluetooth streaming or AUX through the built-in speakers. Optionally, it can be powered by a MAKITA brand rechargeable battery. The device is intended for domestic use.

## 43 Safe handling of the product

Please observe the instructions listed below to minimise safety risks, prevent damage to the device and help protect the environment.

Please read all safety instructions carefully and keep them for future reference.

Always follow all warnings and instructions in this user manual and on the back of the device.



### **WARNING!**

Never open the device!

Touching live parts is life-threatening!



## **WARNING!**

Risk of suffocation! Do not leave the packaging or any parts of it within the reach of children. Risk of suffocation from plastic film and other packaging materials.



Please observe all the following instructions for the correct use of the appliance and to prevent appliance faults and personal injury.

- Do not attempt to repair the device yourself. Repairs must only be carried out by trained specialist personnel. Please contact our customer service department.
- The appliance must only be operated under the specified environmental conditions.
- Do not expose the appliance to dripping or splashing water. If water has entered the appliance, switch it off and contact the service department.
- Do not expose the appliance to heat sources that cause it to heat up beyond normal use.
- In the event of a noticeable fault, the development of odours or smoke, significant malfunctions, or damage to the housing, contact the service department immediately.

- The device must only be operated at the specified mains voltage. Never attempt to operate the device using a different voltage.
- Check the appliance regularly for damage to the casing. If the appliance is damaged, it must not be used.
- Do not use the device near baths, showers, swimming pools or running/splashing water. There is a risk of electric shock and/or damage to the device.
- Foreign objects, e.g. needles, coins, etc., must not fall inside the device. Do not touch the connection contacts with metal objects or your fingers. This may result in short circuits.
- This appliance is not intended for use by persons (including children) with reduced physical, sensory or mental capabilities, or lack of experience and/or knowledge, unless they are supervised by a person responsible for their safety or have been given instructions on how to use the appliance.
- It is prohibited to make any modifications to the device.

## 44 Legal notices



TechniSat hereby declares that the VIOLA 231 OD radio equipment complies with Directive 2014/53/EU. The full text of the EU Declaration of Conformity is available at the following web address:

[hGp://konf.tsat.de/?ID=25134](http://konf.tsat.de/?ID=25134)



TechniSat shall not be held liable for damage to the product caused by external influences, wear and tear, improper handling, unauthorised repairs, modifications or accidents.



Subject to changes and printing errors. As of 03/24.  
Reproduction and distribution only with the publisher's permission. The latest version of the manual is available in PDF format in the download section of the TechniSat website at [www.technisat.de](http://www.technisat.de).

Names of the companies, institutions or brands mentioned are trademarks or registered trademarks of their respective owners, who have no connection whatsoever with TechniSat Digital GmbH.



VIOLA 231 OD and TechniSat are registered trademarks of:

**TechniSat Digital GmbH**

TechniPark

Julius-Saxler-Straße 3

D-54550 Daun/Eifel

[www.technisat.de](http://www.technisat.de)



## 45 Service Information



This product has been quality-tested and comes with the statutory warranty period of 24 months from the date of purchase. Please keep your receipt as proof of purchase. In the event of warranty claims, please contact the retailer from whom you purchased the product.



Note!

For questions and information, or if you encounter a problem with this device, please contact our technical hotline:

Mon–Fri 8:00–18:00 on tel.: 03925/9220  
1800.



Repair requests can also be submitted directly online at [www.technisat.de/reparatur](http://www.technisat.de/reparatur) .

If you need to send the device in for repair, please use only the following address:

TechniSat Digital GmbH  
Service Centre  
Nordstr. 4a  
39418 Staßfurt

## 5 Setting up the device

- > Place the device on a firm, secure and level surface.  
Ensure there is good ventilation.



### **Warning:**

- > Do not place the appliance on soft surfaces such as carpets or rugs, or near curtains and wall hangings. The ventilation openings could become blocked. This could disrupt the necessary air circulation, which might potentially lead to a fire.
- > Do not place the appliance near heat sources such as radiators. Avoid direct sunlight and areas with excessive dust.
- > Please note that the device's feet may leave coloured marks on certain furniture surfaces. Use a protective mat between your furniture and the device.
- > Keep the VIOLA 231 OD away from devices that generate strong magnetic fields.
- > Do not place heavy objects on the device.
- > If you move the device from a cold to a warm environment,

condensation may form inside the device. In this case, wait about an hour before using it.

- > Route the power cable so that nobody can trip over it.
- > Ensure that the mains cable or the mains adapter is always easily accessible so that you can quickly disconnect the device from the mains supply!
- > The socket should be as close to the device as possible.
- > To connect to the mains, plug the mains plug fully into the socket.
- > Use a suitable, easily accessible mains socket and avoid using multi-socket adapters!
- > Do not touch the mains plug with wet hands – risk of electric shock!
- > In the event of malfunctions or if smoke or odours are emitted from the housing, immediately unplug the mains plug from the socket!
- > If the device is not to be used for a prolonged period, e.g. before setting off on a long journey, unplug the mains plug.
- > If the device is not to be used for a prolonged period, remove the battery.
- > Excessive volume, particularly when listening to headphones, can cause hearing damage.

## **6 Description of the VIOLA 231 OD**

### **6.1 Contents of the package**

Before use, please check that the contents of the package are complete: 1x

VIOLA 231 OD

1x power supply

1x User manual

1x adapter plate for additional battery

### **6.2 Special features of the VIOLA 231 OD**

The VIOLA 231 OD consists of a DAB+/FM receiver with the following functions:

- You can store up to 20 DAB+ and 20 FM favourite stations.
- The radio receives on the frequencies FM 87.5–108 MHz (analogue) and DAB+ 174.9–239.2 MHz (digital).
- The device features a time and date display.
- Battery operation with optional MAKITA battery
- Bluetooth audio streaming.
- Alarm clock and sleep timer.
- Robust housing, IPX4

## 6.3 Preparing the VIOLA 231 OD for use

### 6.3.1 Connecting to the mains using



#### **WARNING!**

Do not touch the mains plug with wet hands – risk of electric  
!



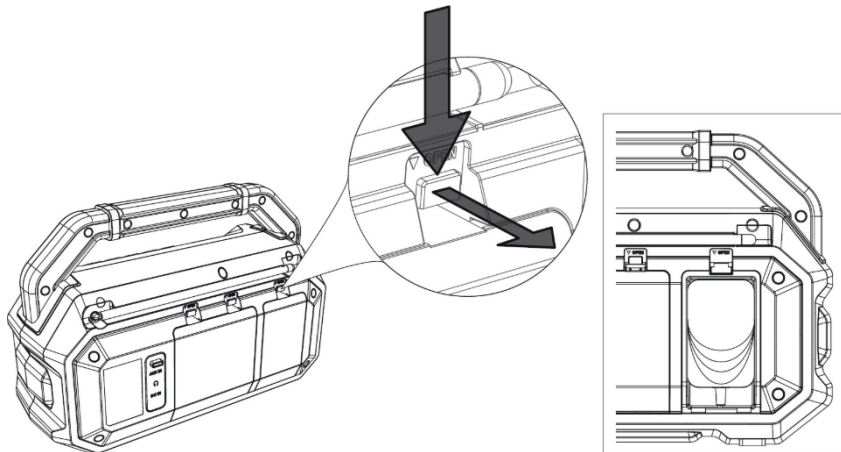
#### **CAUTION!**

Lay the mains cable so that nobody can trip over it.

- > Plug the mains adapter into a mains socket. Then plug the DC plug of the mains adapter into the DC socket on the radio.
- > The VIOLA 231 OD will start up and perform an initial station scan for DAB+ stations in your area. Please also refer to section 6.3.2 for correct antenna alignment.
- > Once the station search is complete, the first DAB station from the station list will be played. The charging status is shown in the top right-hand corner of the display

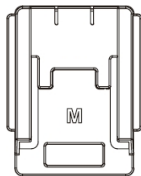


The power supply can be stored in the designated compartment (**19**) on the back:



### 6.3.1.1 Using the battery

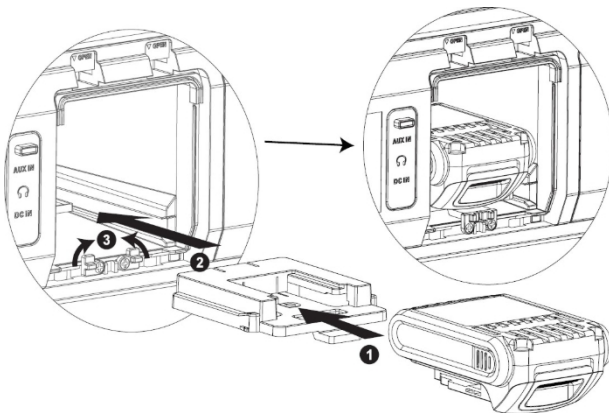
The VIOLA 231 OD can be operated using MAKITA brand batteries. To do this, the supplied adapter must first be installed in the VIOLA 231 OD. A list of compatible batteries can be found in the Technical Specifications section.



MAKITA

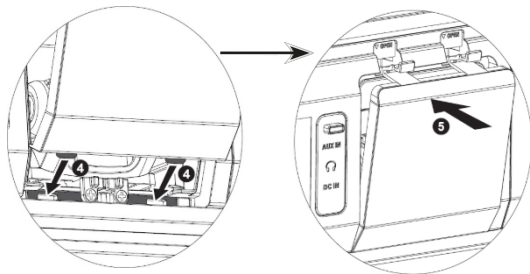
- > Open the **battery compartment cover (17)** on the centre of the rear of the device by pressing the locking tabs downwards. The battery compartment cover can then be folded down and removed.
- > Fit the battery onto the supplied adapter plate (**1**) for MAKITA batteries. Please observe the battery manufacturer's safety instructions.

- > Insert the adapter plate into the VIOLA 231 OD as far as it will go **(2)**. Flip up the two retaining tabs **(3)** and tighten the screws by hand.



The battery cannot be charged in the VIOLA 231 OD. To do this, remove the battery from the VIOLA 231 OD and use your battery's original charger.

- > Close the battery compartment cover by first inserting it at the bottom (**4**) and then snapping it into place at the top (**5**):



## 6.32 Aligning the anten

The number and quality of the channels you can receive depend on reception conditions at the installation site. Excellent reception can be achieved with the **telescopic antenna (18)**.

> Extend the **telescopic antenna (18)** and pull it out to its full length.



It is important to ensure the telescopic antenna is precisely aligned, particularly in areas on the fringes of DAB+ reception. On the internet, for example, at “[www.dabplus.de](http://www.dabplus.de)”, you can quickly locate the nearest transmission mast.



Start the first channel scan at a window facing the transmission mast. If reception is poor, DAB+ reception may be limited.



Do not touch the telescopic antenna whilst a station is playing. This can lead to reception problems and audio dropouts.

## 6.3.3 Use headphones

### Hearing damage!

Do not listen to the radio at high volume through headphones. This can lead to permanent hearing damage. Before using headphones, set the device volume to the minimum level.




Only use headphones with a 3.5 mm jack plug.

- > Plug the headphone jack into the **headphone socket (14)** on the rear of the VIOLA 231 OD. Sound will now be played exclusively through the headphones; the speaker is muted.
- > If you wish to listen via the speakers again, remove the headphone plug from the headphone socket on the device.

## 6.4 General device functions

### 6.4.1 Switching on the de


- > First, prepare the VIOLA 231 OD for operation as described in sections 6.3.1 and 6.3.2.
- >  Press the **On/Standby** button (**2**) on the top of the device to switch on the VIOLA 231 OD.




After switching on for the first time, the device automatically performs a full station search in DAB+ mode. During the search, the display shows the progress and the number of digital radio stations found. Once the station search is complete, the first DAB+ programme is played.

## 642 Switching off the device

### When connected to the mains:

- > Press the **On/Standby** button  (2) briefly to put the device into standby mode. The message **[Standby]** appears briefly on the display. The date and time are shown on the display. You can adjust the display brightness in standby mode as described in section 13.2.

### In battery mode:

- > When running on battery power, the device is always switched off completely by pressing the **On/Standby** button . The date and time are not shown on the display.



The battery cannot be charged in the VIOLA 231 OD. To charge it, remove the battery from the VIOLA 231 OD and use the original charger for your battery.

### 643 Switching operating modes

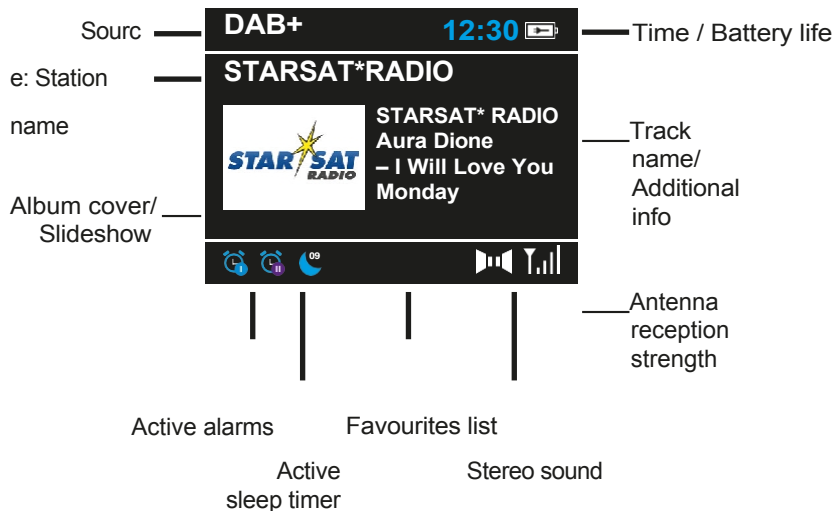
- > Use the **MODE** button (3) to switch between the sources **DAB+** (Digital Radio), **FM**, **Bluetooth** and **AUX**.

### 644 Adjusting the volume

- > Adjust the volume using the **Volume +/-** buttons (9). The set volume is shown on the display as a bar graph.

## 645 Display

Depending on the selected function or option, the following information is shown on **the display** (example):



## 646 Calling up display screens

- > Press the **INFO/MENU** button (**4**) briefly several times to cycle through the available display options. Different information is shown depending on the currently selected source. This may include, for example, the signal quality, frequency, or whether an additional battery is connected.

## 647 Slideshow

Some DAB+ stations transmit additional information such as the album cover of the current track, adverts or weather data. The size of the window can be adjusted using the **SELECT** button (**12**) on the device. For stations without additional information, the DAB+ logo appears instead.

## 7 Menu operation

The menu gives you access to all the functions and settings of the VIOLA 231 OD. You can navigate the menu using the **INFO/MENU**, **TUNING/SKIP** and **SELECT** buttons. The menu is divided into submenus and contains different menu items or functions that can be activated depending on the selected source (DAB+, FM, Bluetooth or AUX). To open the menu, simply press and hold the **INFO/MENU** button briefly until the menu opens. To switch to sub-menus, use the **TUNING/SKIP** buttons to select a sub-menu or function, then press the **SELECT** button to open the sub-menu or function. An asterisk (\*) indicates the current selection.



To close the menu: Press the **INFO/MENU** button briefly several times (depending on which submenu you are in) until the current radio programme is displayed again.



Settings are only saved by pressing the **SELECT** button.

If, instead, the **INFO/MENU** button is pressed, the settings are not applied or saved (the **INFO/MENU** button acts as a “Back” button in this context).



Functions and buttons to be pressed are shown in this user manual in bold. Display messages are shown in **[square brackets]**.



Some text strings (e.g. menu items, station information) may be too long to fit on the display. These will then be shown as placeholder text after a short while.

## 8 The DAB+ (Digital Radio) function

### 8.1 What is DAB+

DAB+ is a digital format that allows you to enjoy crystal-clear sound without any static. Unlike conventional analogue radio stations, DAB+ broadcasts multiple stations on the same frequency. For further information on DAB+ or DAB+ availability in your area, please visit [www.dabplus.de](http://www.dabplus.de) or [www.dabplus.ch](http://www.dabplus.ch).

### 8.2 DAB+ (Digital Radio) reception

> Press the **MODE** button until **[DAB+]** appears on the display.



When DAB+ is started for the first time, a full station search is carried out. Once the search is complete, the first station is played in alphanumeric order.

### 8.3 Performing a full scan



The automatic **'Full scan'** scans all DAB+ Band III channels and thus finds all stations broadcast in the reception area.



Once the scan is complete, the first station is played in alphanumeric order.

- > To perform a full scan, press the **SCAN** button. Alternatively:
- > Open the main menu by holding down the **INFO/MENU** button.
- > Use the **TUNING/SKIP** buttons to select the menu item **[Scan Settings]** and press the **SELECT** button.
- > Then use the **TUNING/SKIP** buttons to select the menu item **[Full Scan]** and press the **SELECT** button.
- > **[Scan...]** appears on the display.



During the scan, a progress bar and the number of stations found are displayed.



If no station is found, check the telescopic antenna and, if necessary, change the location (section 6.3.2).

## 84 Selecting a station

- > To select a saved **DAB+** station, press the **TUNING/SKIP** buttons. The station list will open, and you can now use **TUNING/SKIP** to select a station. Press the **SELECT** button to play the station.

## 85 Storing DAB+ stations in a memory slot



The favourites memory can store up to 20 stations in the DAB+ band.

- > First, select the desired station (see section 8.4).
- > To save this station to a memory slot, **press and hold** the **3+** button during playback. Then use **TUNING/SKIP** to select a favourite memory slot (1...20). Press the **SELECT** button to save the station.
- > **[Station saved]** appears on the display.
- > To save further stations, repeat this procedure.



Alternatively, a station can also be saved directly to one of **the direct-select buttons 1** or **2** by holding down the button until **[Station saved]** appears on the display.

## 8.6 Recalling a DAB+ station from a memory slot

- > To recall a station that you have previously stored in the favourites memory, **briefly** press the **3+** button and use **TUNING/SKIP** to select a favourites memory slot (1...20).
- > Press **SELECT** to play the station.



If no station is stored in the selected memory slot, **[(empty)]** appears on the display.



Press the **direct selection button 1** or **2** to play the station stored there directly.

## 8.7 Overwriting/deleting a preset

- > Simply save a new station to a favourite memory slot as described.



When you reset the device to factory settings, all presets will be deleted.

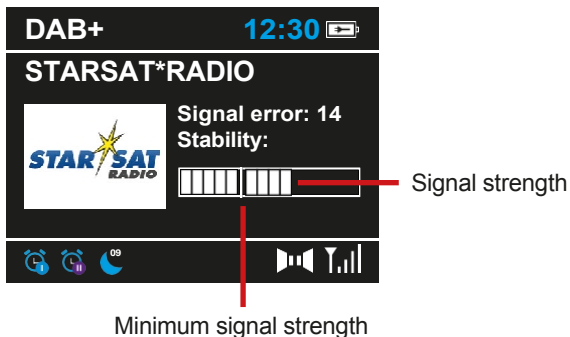
## 8.8 Manual channel search

Manual channel search is used to search for and check reception channels and can be used to align the antenna.

- > Open the main menu by holding down the **INFO/MENU** button.
- > Use the **TUNING/SKIP** buttons to select the menu item **[Scan settings]** and press the **SELECT** button.
- > Then use the **TUNING/SKIP** buttons to select the menu item **[Man. Set]** using the TUNING/SKIP buttons and press the **SELECT** button.
- > Now use **TUNING/SKIP** to select a DAB+ channel/frequency and press the **SELECT** button. The signal strength is now shown on the display. If a DAB+ station is received on a channel/frequency, the station's ensemble name is displayed. The antenna can now be aligned for maximum signal strength.



Transmitters whose signal strength is below the required minimum (vertical bar) are not transmitting a strong enough signal. If necessary, align the antenna as described in section 6.3.2 (illustration):



If there are stations on the selected channel/frequency that have not yet been found and saved during a full scan, these will now be automatically saved in the station list.

- > You can exit manual search by pressing the **INFO/MENU** button several times.

## **8.9 Volume adjustment (DRC)**

The **DRC** option sets the compression rate, which compensates for dynamic fluctuations and the resulting volume variations.

- > Open the main menu by holding down the **INFO/MENU** button.
- > Use the **TUNING/SKIP** buttons to select the **[Audio Settings]** menu item and press the **SELECT** button.
- > Then use the **TUNING/SKIP** buttons to select the **[DRC]** menu item and press the **SELECT** button.
- > Use **TUNING/SKIP** to select the compression ratio:
  - DRC high** - High compression
  - DRC low** - Low compression
  - DRC off** - Compression disabled.
- > Confirm by pressing the **SELECT** button.
- > You can exit the setting by pressing the **INFO/MENU** button several times.

## 8.10 Delete inactive stations

The **Delete inactive stations** option is used to remove old stations and those that can no longer be received from the station list.

- > Open the main menu by holding down the **INFO/MENU** button.
- > Use the **TUNING/SKIP** buttons to select the **[Scan Settings]** menu option, then press the **SELECT** button.
- > Then use the **TUNING/SKIP** buttons to select the menu item **[Delete inactive stations]** and press the **SELECT** button.



The prompt **[Remove OK?]** appears, asking whether the inactive stations should be deleted.

- > Use **TUNING/SKIP** to select **[Yes]** and confirm with the **SELECT**. The stations will be deleted.
- > You can exit the setting by pressing the **INFO/MENU** button several times.

## 9 FM (FM) mode

### 9.1 Switch on FM radio

> Press the **MODE** button to switch to FM mode.

> **[FM]** appears on the display.



When switched on for the first time, the frequency is set to 87.5 MHz.



If you have already tuned into or saved a station, the radio will play the last station you tuned into.



For RDS stations, the station name appears.



To improve reception, align the antenna (section 6.3.2).

### 9.2 FM reception with RDS information

RDS is a system for transmitting additional information via FM stations. Stations with RDS transmit, for example, their station name or the programme type. This is then shown on the display.

### 93 Automatic station search

- > Press the **SCAN** button to start the scan. Please note the scan settings described in section 9.5.
- > If an FM station with a sufficiently strong signal is found, the scan stops and the station is played.



If a station with RDS information is received, the station name and, where applicable, the radio text will appear.



To tune in to weaker stations, use the manual station search.

### 94 Manual station search

- > By pressing the **TUNING/SKIP** buttons repeatedly and briefly, the frequency can be adjusted in 0.05 MHz steps.

### 95 Scan setting

This menu item allows you to adjust the sensitivity of the automatic search.

- > Open the main menu by holding down the **INFO/MENU** button.

- > Use the **TUNING/SKIP** buttons to select the **[Scan Settings]** menu option, then press the **SELECT** button.
- > Use the **TUNING/SKIP** buttons to select whether the scan should stop only at strong stations **[Strong stations only]** or at all stations (including weak ones) **[All stations]**.



If set to **All stations**, the automatic search stops at every available station. This may result in weak stations being received with noise.

- > Press the **SELECT** button to save.
- > You can exit the setting by pressing the **INFO/MENU** button several times.

## 9.6 Audio settings

- > Open the main menu by holding down the **INFO/MENU** button.
- > Use the **TUNING/SKIP** buttons to select the **[Audio Settings]** menu item and press the **SELECT** button.
- > Press the **SELECT** button and use **TUNING/SKIP** to select **[Stereo possible]** or **[Mono only]** to play back in stereo or in mono only when FM reception is poor.

- > Save the setting using the **SELECT** button.
- > You can exit the setting by pressing the **INFO/MENU** button several times.

## 9.7 Storing FM stations in a memory slot



The station memory can store up to 20 stations in the FM band.

- > First, select the desired station (see section 9.3).
- > To store this station in a memory slot, **press and hold** the **3+** button during playback. Then use **TUNING/SKIP** to select a favourite memory slot (1...20). Press the **SELECT** button to save the station.
- > **[Station saved]** appears on the display.
- > Repeat this procedure to save further stations.



Alternatively, a station can also be saved directly using one of **the direct selection buttons 1 or 2** by holding down the button until **[Station saved]** appears on the display.

## 9.8 Recalling FM stations from a memory location

- > To access a station you have previously saved in the favourites memory, **briefly** press the **3+** button and use **TUNING/SKIP** to select a favourites memory slot (1–20).
- > Press **SELECT** to play the station.



If no station is stored in the selected memory slot, **[(empty)]** appears on the display.



Press the **direct selection button 1** or **2** to play the station stored there directly.

## 9.9 Overwriting/deleting a preset

- > Simply save a new station to the relevant memory location as described.



When the factory settings are recalled, all presets are deleted.

## 10 Bluetooth

- > Briefly press the **MODE** button until **[Bluetooth]** appears on the display. 

If you are starting Bluetooth mode for the first time, you must first pair a playback device, e.g. a smartphone or tablet, must first be paired with the VIOLA 231 OD.



If a playback device has already been paired and is within range, it will connect automatically.

### 10.1 Pairing a device

- > Select Bluetooth mode on the VIOLA 231 OD. The display shows **[Connection disconnected]**.
- > Open the Bluetooth settings on your smartphone/tablet that you wish to pair with the VIOLA 231 OD.
- > Start the search for available Bluetooth devices.
- > Select the entry **VIOLA 231 OD** from the list of found Bluetooth devices.

- > Once pairing is successful, a confirmation tone will sound and **[Connected] will appear** on the display.



For information on how to use the Bluetooth function on your smartphone/tablet, please refer to the user manual for your smartphone/tablet.

## 10.2 Bluetooth playback

Once you have successfully paired your smartphone/tablet with the VIOLA 231 OD, you can start playback.

Open a music app on your smartphone or tablet and start playback. Depending on your smartphone/tablet, the sound will either be played directly through the VIOLA 231 OD, or you will first need to select the VIOLA 231 OD as the playback device. Please refer to the user manual for your smartphone/tablet to find out how to select playback devices via Bluetooth.



Depending on the Bluetooth protocol of your external device, you can control music playback using the playback buttons on the VIOLA 231 OD:

Play/Pause

- Button



Next track

- Button



Previous track

- Press twice



Track from the beginning

- Button



Volume - **Volume +/-** buttons




Depending on the smartphone/tablet, ringtones or system sounds may also be transmitted.



The maximum Bluetooth range indoors is approx. 10m



To disconnect a paired device, press and hold the  button. **‘Connection disconnected’** will appear on the display and the VIOLA 231 OD will return to pairing mode.



If no device is paired with the VIOLA 231 OD within approx. 15 minutes (and no operation has taken place), the VIOLA 231 OD switches to **power-saving mode (off** in battery mode or **standby** in mains mode).

## 11 AUX input

The AUX input allows you to play back content from external devices, such as smartphones or tablets, that do not have Bluetooth.

- > Open the protective cover on the rear of the VIOLA 231 OD.
- > Connect the external device to the AUX socket using a 3.5 mm jack cable (not included).

- > Press the **MODE** button repeatedly until **[AUX]** appears on the display.
- > Play music on the external playback device.
- > The volume can be adjusted using the **+/- volume buttons** or the volume control on your external playback device.



Do not set the volume on the external playback device too low, otherwise interference may occur.

## 12 Additional functions

### 12.1 Sleep timer

If you want the VIOLA 231 OD to switch to standby or switch off automatically after a certain time, you can activate the sleep timer.

- > Press the **SLEEP** button several times until the desired time until switch-off is shown on the display.

Alternatively:

- > Open the main menu by holding down the **INFO/MENU** button.

- > Use the **TUNING/SKIP** buttons to select the **[Sleep]** menu option, then press the **SELECT** button.
- > Use the **TUNING/SKIP** buttons to set the time interval in increments of **Off, 10, 20, 30, 60, 70, 80** and **90** minutes after which the device switches to standby mode (mains operation) or switches off (battery operation) in any operating mode.
- > Once you have selected a time, press the **SELECT** button.



If you call up the **Sleep Timer** menu again as described above, the remaining time is displayed. An active Sleep Timer is also shown on the display by a moon symbol with the remaining time.

## 122 Alarm

The alarm switches the VIOLA 231 OD on at the set alarm time. Two alarm times can be programmed. The following description illustrates how to programme Alarm 1.



You cannot use the alarm function until the correct time has been set. Depending on the configuration, this happens automatically or must be set manually. The time can be updated either manually or via DAB/FM. For further information, see section 13.1.



The alarm clock can only be configured when the device is connected to the mains, and it will only work when connected to the mains. If the device is running on battery power, connect the mains adapter first.

### 1221 Alarm clock configuration

- > Open the main menu by holding down the **INFO/MENU** button.
- > Use the **TUNING/SKIP** buttons to select the **[Alarm]** menu item and press the **SELECT** button.

- > Use the **TUNING/SKIP** button to select one of the alarm times (**Alarm 1** or **Alarm 2**) and press the **SELECT** button to start the configuration.
  - > Then go through all the items one by one using **TUNING/SKIP**. Confirm each entry by pressing the **SELECT** button.

### **[Alarm]**

Switch the alarm clock on or off using the **SELECT** button > **[On]** or **[Off]**. The alarm clock is only activated when set to **[On]** here.

### **[Repeat]**

Press the **SELECT** button. Here, you can choose between **Daily** (every day of the week), **Once, Weekdays** (Mon–Fri) or **Weekend** (Sat & Sun). Press the **SELECT** button to confirm the setting.

### **[Alarm time]**

Here you can set the alarm time and, if required, the date.

First, use the **TUNING/SKIP** buttons to select the hours and press the **SELECT** button to confirm. Next, enter the minutes. Confirm these as well by pressing the **SELECT** button.



If you have selected **[Once]** under **Repeat**, you must enter the date as well as the time. This option is then labelled **[Date/Time]**.

### [Source]

Press **SELECT** and then use **TUNING/SKIP** to select a source for the alarm tone. You can choose between **DAB+**, **FM** or **buzzer**. Press the **SELECT** button to save.

### [Programme]

If you have previously selected **DAB+** or **FM** as the source, you can then choose whether you want to be woken up by the **last station you listened to** or by one from your **favourites list**. Press the **SELECT** button to save.

### [Duration]

Next, enter the alarm duration. Confirm your entry by pressing the **SELECT** button.

### [Volume]

Finally, you can set the alarm volume using **TUNING/SKIP**. Press the **SELECT** button to confirm.

- > You can exit the alarm settings by pressing the **INFO/MENU** button several times.




When the alarm is active, a bell symbol is shown on the display.



Please note that the alarm clock only works when plugged into the mains. When running on battery power, the alarm clock will not start due to the power-saving function.

### **1222 Turning off the alarm clock after the alarm has sounded**

- > Press the **On/Standby** button  to switch off the alarm clock, or wait until the set alarm duration has elapsed.

### **1223 Disabling the alarm**

- > If you wish to deactivate the alarm, open the alarm settings again and select **[Alarm] > [Off]**.

Alternatively:

- > If the VIOLA 231 OD is in standby mode (mains-powered), the alarms can be quickly switched on or off by pressing the **MODE** button. This takes you directly to the alarm settings.

## 13 System settings

All settings described under this heading apply equally in all operating modes.

### 13.1 Time and date settings

#### 13.1.1 Setting the time/date manually

Depending on the time update setting (section 13.1.2), you may need to set the time and date manually.

- > Open the main menu by holding down the **INFO/MENU** button.
- > Use the **TUNING/SKIP** buttons to select the menu option **[System Settings] > [Date/Time] > [Set Date/Time]**, then press the **SELECT** button.
- > The first digits (day) of the date will flash and can be changed using **TUNING/SKIP**. Press **SELECT** to confirm the setting.
- > The next digits (month) of the date will then flash and can also be changed as described above.
- > After each adjustment, press the **SELECT** button to move to the next setting.
- > Proceed as described above to set the time.

- > Once all settings have been made and **SELECT has been pressed** for the last time  
When the button is pressed, **[Time saved]** appears on the display.

### 13.12 Automatic time update

In this submenu, you can specify whether the time should be updated automatically via DAB+ or FM (FM) or whether you wish to enter it manually (section 13.1.1).

- > Open the main menu by holding down the **INFO/MENU** button.
- > Use the **TUNING/SKIP** buttons to select the menu item **[System Settings] > [Date/Time] > [Auto Update]** and press the **SELECT** button.
- > Use **TUNING/SKIP** to select the following options:
  - [from all]** (update via DAB+ and FM)
  - [from digital radio]** (update via DAB+ only)
  - [from FM]** (update via FM only)
  - [No update]** (The time and date must be entered manually; see section 13.1.1).
- > Press **SELECT** to save the setting.
- > You can exit the setting by pressing the **INFO/MENU** button several times.

### 13.1.3 Setting the time format

In the **Time Format** submenu, you can select the 12-hour or 24-hour format.

- > Open the main menu by holding down the **INFO/MENU** button.
- > Use the **TUNING/SKIP** buttons to select the menu item **[System Settings] > [Date/Time] > [Time Format]** and press the **SELECT** button.
- > Use **TUNING/SKIP** to select the following options:
  - [24 hours]**
  - [12 hours]**
- > Press **SELECT** to confirm.
- > You can exit the setting by pressing the **INFO/MENU** button several times.

### 13.14 Setting the date format

In the **Date Format** submenu, you can set the format for displaying the date.

- > Open the main menu by holding down the **INFO/MENU** button.
- > Use the **TUNING/SKIP** buttons to select the menu item **[System Settings] > [Date/Time] > [Date Format]** and press the **SELECT** button.
- > Use the **TUNING/SKIP** buttons to select the following options:
  - [DD-MM-YYYY]** (day, month, year)
  - [MM-DD-YYYY]** (month, day, year)
- > Press **SELECT** to confirm.
- > You can exit the setting by pressing the **INFO/MENU** button several times.

### 13.1.5 Set clock design

You can set the clock design displayed in standby mode (main operation) in this submenu.

- > Open the main menu by holding down the **INFO/MENU** button.
- > Use the **TUNING/SKIP** buttons to select the menu item **[System Settings] > [Date/Time] > [Clock Design]** and press the **SELECT** button.
- > Use **TUNING/SKIP** to select the following options:
  - [Normal Digital]** (default setting, date and time)
  - [Large Digital]** (Time only in large digits)
  - [Classic Analogue]** (Classic analogue clock face)
  - [Modern Analogue]** (Modern dial of an analogue watch)
- > Press **SELECT** to confirm.
- > You can exit the setting by pressing the **INFO/MENU** button several times.

## 132 Display brightness

You can adjust the display brightness for standby mode (mains operation only).

- > Press the **DIMMER** button to adjust the display brightness. The setting can be adjusted separately for operation and standby mode.



If set to **[High]** or **[Medium-Low]**, the display will dim to the next lower brightness level after a few seconds of inactivity.

- > Alternatively, the setting can also be configured via the submenu **[Main menu] > [Display settings] > [Backlight]**.

## 133 Colour scheme

- > Open the main menu by holding down the **INFO/MENU** button.
- > Use the **TUNING/SKIP** buttons to select the menu item **[Display Settings] > [Colour Scheme]** and press the **SELECT** button.
- > Use **TUNING/SKIP** to select one of the two display colour schemes, **DeepBlack** or **SteelBlue** and press **SELECT**.

### 13.4 Language

- > Open the main menu by holding down the **INFO/MENU** button.
- > Use the **TUNING/SKIP** buttons to select the menu item **[System Settings] > [Language]** and press the **SELECT** button.
- > Use the **TUNING/SKIP** button to select one of the available languages and confirm your selection with **SELECT**.
- > You can exit the setting by pressing the **INFO/MENU** button several times.

### 13.5 Factory settings

If you move the device to a different location, you may no longer be able to receive the stored stations. In this case, you can reset the device to **its factory settings** to delete all stored stations and then start a new station search.

- > Open the main menu by holding down the **INFO/MENU** button.
- > Use the **TUNING/SKIP** buttons to select the menu item **[System Settings] > [Factory Settings]** and press the **SELECT** button.

- > Use **TUNING/SKIP** to select **[Yes]** and press **SELECT**.
- > All previously stored stations and settings will be deleted. The device is now in standby mode and has been reset to its factory settings.









Please follow the instructions for switching on the device for the first time in section 6.4.1.

### 13.6 Software version

Under **SW Version**, you can check the currently installed software version.

- > Open the main menu by holding down the **INFO/MENU** button.
- > Use the **TUNING/SKIP** buttons to select the menu item **[System settings] > [SW version]** and press the **SELECT** button. The currently installed device software is shown on the display.

## 14 Cleaning

-  To avoid the risk of electric shock, do not clean the device with a wet cloth or under running water. Unplug the mains plug and switch off the device before cleaning!
-  Do not use scouring pads, scouring powder or solvents such as alcohol or petrol.
-  Do not use any of the following substances: salt water, insecticides, or solvents containing chlorine or acids (ammonia).
-  Clean the housing with a soft cloth dampened with water. Do not use spirits, thinners, etc.; they could damage the surface of the device.
-  Clean the display only with a soft cotton cloth. If necessary, use a cotton cloth with a small amount of non-alkaline, diluted soapy water or alcohol-based solution.
-  Gently wipe the surface with the cotton cloth.

## 15 Troubleshooting

If the device is not working as intended, check it using the following table.

| <b>Symptom</b>                  | <b>Possible cause/solution</b>  |
|---------------------------------|---|
| The device will not switch on.  | The device is not receiving power. Connect the mains adapter correctly to the mains socket and to the device. Charge the battery. |
| No sound can be heard.          | Turn up the volume.   |
| The display does not switch on. | Unplug the device from the mains/switch it off, then plug it back in/switch it on.  |
| Reception via DAB+/FM is poor.  | Change the position of the antenna or the VIOLA 231 OD.   |
| The device cannot be operated.  | Disconnect the device from the mains/switch it off, then reconnect it to the mains/switch it on again.                            |
| No Bluetooth device is found    | Activate pairing mode on both devices. During pairing, both devices should be within a radius of no more than 2 metres.           |
| <b>Symptom</b>                  | <b>Possible cause/solution</b>  |

|  |  |
|--|--|
| Interruptions during Bluetooth music streaming | Both devices should be within a radius of no more than 10 metres. Depending on the surroundings, the maximum range may be reduced. |
|--|--|

If you are unable to resolve the issue even after carrying out the checks described, please contact the technical support hotline. You will find the contact details under 'Service information' on page 18.

## 16 Technical data

Subject to technical changes and errors.

|  |   |
|--|---|
| Reception modes  | DAB+, FM, Bluetooth, AUX  |
| Power supply   | DC 18 V / 2 A, via the supplied external power supply or optional battery.  |
| Power consumption  | Operation: 36 W (max.)<br>Standby: < 1 W  |
| Display  | 2.4" colour TFT   |
| Housing  | IPX4  |
| Frequencies  | FM: 87.5–108 MHz<br>DAB/DAB+: 174–240 MHz<br>Bluetooth V5.0:<br>2.402–2.480<br>GHz,<br>Transmission power: max. 4 dbm |
| Environmental conditions Operating temperature/relative humidity | 0° to +35° C<br>25–75% relative humidity  |

|                          |                          |
|--------------------------|--------------------------|
| Audio output power       | 2 x 15 W RMS             |
| Weight (without battery) | ~2.3 kg                  |
| Dimensions (WxHxD)       | 354 mm x 242 mm x 167 mm |

**Technical specifications of the included power supply:**

|                              |   |
|------------------------------|---|
| Manufacturer                 | TechniSat Digital GmbH,<br>Julius-Saxler-Straße 3, D-<br>54550 Daun |
| Model number                 | R361-1802000E   |
| Input voltage                | AC 100–240 V  |
| Input AC frequency           | 50/60 Hz  |
| Output voltage               | DC 18.0 V   |
| Output current               | 2.0 A   |
| Output power                 | 36.0 W  |
| Average operating efficiency | 88.6%   |
| Efficiency at low load (10%) | 85.52%  |
| Power consumption at no load | 0.06 W  |

### Information on compatibility with MAKITA 18 V batteries.

- > MAKITA 18 V batteries can be used optionally in the VIOLA 231 OD. The following compatibility list can be used as a guide.

| <b>Model (MAKITA)</b>    |
|--------------------------|
| BL1815N 18 V / 1.5 Ah    |
| BL1820B Li 18 V / 2.0 Ah |
| BL1830B Li 18 V / 3.0 Ah |
| BL1840B Li 18 V / 4.0 Ah |
| BL1850B Li 18 V / 5.0 Ah |
| BL1860B Li 18 V / 6.0 Ah |




If your battery type is not listed, check the height of your battery. If it does not exceed 80 mm, the battery should fit. This means that future, new battery generations may also be compatible (no guarantee).

## 17 Disposal instructions

The packaging for your device is made entirely from recyclable materials. Please return these, sorted appropriately, to the “Dual System”. This product is labelled in accordance with Directive 2012/19/EU on waste electrical and electronic equipment (WEEE) and must not be disposed of with normal household waste at the end of its life, but must be taken to a collection point for the recycling of electrical and electronic equipment.



The  symbol on the product, the user manual or the packaging indicates this.

The materials are recyclable in accordance with their labelling. By reusing, recycling or otherwise recovering waste equipment, you are making an important contribution to protecting our environment.



Please contact your local council to find out the relevant disposal point. Ensure that electronic waste does not end up in household waste, but is disposed of properly (return to specialist retailers, hazardous waste).

Batteries must be removed before disposing of the device and disposed of separately.

Please follow the disposal instructions provided by your battery manufacturer.

We hereby remind you to delete, at your own responsibility, any personal data that may have been stored on the device before disposing of it.

# Everything about your TechniSat product in one place.

Mit der INFODESK-App von TechniSat können Sie sich Bedienungsanleitungen, Kataloge, Prospekte und informative Produktvideos bequem und schnell auf dem Smartphone oder Tablet ansehen.



INFODESK QR-Code scannen und App kostenfrei für iOS oder Android herunterladen.



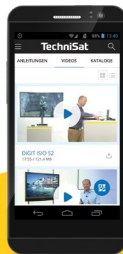
[www.technisat.de/infodesk](http://www.technisat.de/infodesk)



Bedienungsanleitungen



Kataloge/  
Prospekte



Informative  
Videos

TechniSat Digital GmbH ist ein Unternehmen der Techniroga Holding GmbH und der LEPPER Stiftung  
TechniPark - Julius-Saxler-Straße 3 - 54550 Daun/Eifel

# TechniSat

7790